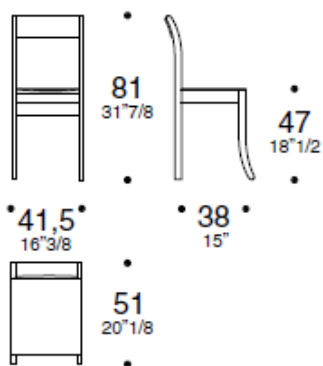


Article: CHAIR

TECHNICAL CHARACTERISTICS

Chair completely made of solid ash stained oak or walnut, or open pore lacquered in snow white, grey, yellow mustard, light blue, coral red and titanium.

DIMENSIONS



FINISHES

Structure: ash stained oak or walnut, or open pore lacquered in white snow, grey, yellow mustard, light blue, coral red and titanium.

Cushion:

Office collection – Fabric Sprint Cat.C

Home collection – Cuoio

